

FCC Notice “Declaration of Conformity Information”

This equipment has been tested and found to comply with the limits for a Class B digital device, pursuant to part 15 of the FCC Rules. These limits are designed to provide reasonable protection against harmful interference in a residential installation. This equipment uses and can radiate radio frequency energy and, if not installed and used in accordance with the instructions, may cause harmful interference to radio communications.

However, there is no guarantee that interference will not occur in a particular installation. If this equipment does cause harmful interference to radio or television reception, which can be determined by turning the equipment off and on, the user is encouraged to try to correct the interference by one or more of the following measures:

- Reorient or relocate the receiving antenna. Locate the antenna more than 30 feet away from the equipment and connect it to the receiver using a shield cable.
- Increase the separation between the equipment and receiver.
- Connect the equipment into an outlet on a circuit different from that to which the receiver is connected.
- Consult the dealer or an experienced radio/TV technician for help.

WARNING: Only peripherals complying with the FCC class B limits may be attached to this equipment.

Changes or modifications made to this equipment, not expressly approved by us or parties authorized by us could void the user’s authority to operate the equipment. This device complies with part 15 of the FCC Rules. Operation is subject to the following two conditions: (1) This device may not cause harmful interference, and (2) this device must accept any interference received, including interference that may cause undesired operation.

SAFETY INSTRUCTIONS

There are two categories of Safety Instructions included in this manual:

- Product Warnings, (i.e., what must never be done to assure avoiding those hazards that could cause bodily injury or property damage); and
- User Directions (i.e., what must always be done to assure the safe use of your device).

The Safety Instructions contained in this manual have been categorized in accordance with the seriousness of the potential hazards through the use of Signal Words. Those Signal Words, and their intended meanings, are as follows:

DANGER: Indicates that a failure to observe the Safety Instructions could result in death or catastrophic bodily injury.

WARNING: Indicates that a failure to observe the Safety Instructions could result in serious bodily injury.

CAUTION: Indicates that a failure to observe the Safety Instructions could result in minor bodily injury or property damage.

NOTE: Designates important information that relates to activities and/or conditions that might result in loss of data and/or damage to your device.

Safe Use and Operation of Your Device

This equipment emits stray RF energy and will interfere with the reception of signals by airborne electronic navigational devices or medical devices. Do not operate this equipment near any sensitive medical devices.

WARNING: Use only grounded AC power cords.

DANGER: If NuForce equipment and all other equipments connected to it do not have AC ground, higher than usual amount of radio frequency emission could occur.

Always immediately disconnect the power to the equipment in the event the device emits an unusual odor or sound or generates smoke.

WARNING: Never attempt to disassemble, repair or make any modification to your device. Disassembly, modification or any attempt at repair could cause bodily injury or property damage, as well as damage to the device itself.

WARNING: Your device is not a toy. Never allow children to play with your device. Misuse, rough or improper handling of your device by children could result in serious bodily injury for any of the enumerated safety warnings in this manual. In addition, always keep all accessories and components out of the reach of small children as small parts might present a choking hazard. Seek immediate medical attention if choking occurs or if any small part has been swallowed.

CAUTION: Never raise the sound volume level too high when using your device with earphones. An excessive sound volume level could cause damage to your hearing.

WARNING: To reduce the risk of fire or electric shock, do not expose the unit to moisture or water.

Do not allow foreign objects to get into the enclosure. If the unit is exposed to moisture, or a foreign object gets into the enclosure, immediately disconnect the power cord from the wall. Take the unit to a qualified service person for inspection and necessary repairs.

Read all the instructions before connecting or operating the component.

Keep this manual so you can refer to these safety instructions.

Heed all warnings and safety information in these instructions and on the product itself. Follow all operating instructions.

Do not use this unit near water.

You must allow a minimum 10 cm or 4 inches of unobstructed clearance around the unit. Do not place the unit on a bed, sofa, rug, or similar surface that could block the ventilation openings. If the unit is placed in a bookcase or cabinet, there must be ventilation of the cabinet to allow proper cooling. Keep the component away from radiators, heat registers, stoves, or any other appliance that produces heat.

The unit must be connected to a power supply only of the type and voltage specified on the rear panel.

Connect the component to the power outlet only with the supplied power supply cable or an exact equivalent. Do not modify the supplied cable.

Do not route the power cord where it will be crushed, pinched, bent, exposed to heat, or damaged in any way. Pay particular attention to the power cord at the plug and where the cord exits the back of the unit.

The power cord should be unplugged from the wall outlet during a lightning storm or if the unit is to be left unused for a long period of time.

Immediately stop using the component and have it inspected and/or serviced by a qualified service agency if:

- The power supply cord or plug has been damaged.

- Objects have fallen or liquid has been spilled into the unit.
- The unit has been exposed to rain.
- The unit shows signs of improper operation
- The unit has been dropped or damaged in any way

Read Me First

Serious audiophiles who want to savor the MCH's full potential should allow it to "break-in" for approximately 75 hours of actual play time.

CAUTION: No-Load Condition – Do not turn on a channel when there is no load on the speaker terminals. Turn off the channels that are not connected to speakers. Strong resonant currents under a no-load condition can overheat the amplifier. If a channel has no load but is connected to an input signal, the amplified signal could damage the zobel filter connected internally across the speaker binding posts.

If the amplifier overheats due to a no-load accident, the overheat protection circuit will shut the amp channel down and restart after it has cooled down. Should this occur, it is a good practice to switch the amplifier channel OFF and let the amp cool down before powering it up again.

WARNING: Do not connect NuForce speaker-level outputs to the line-level inputs of active devices such as active subwoofers or semi-active speakers with powered woofers.

If you use semi-active speakers where the woofer is powered, or a subwoofer that accepts speaker-level signal from the NuForce, **consult NuForce or your dealer before proceeding.**

WARNING: Use only grounded AC power cords.

AC Input – NuForce multi-channel amplifiers are designed to work with worldwide AC voltages (100VAC – 240VAC).

The speaker cable should be securely attached to the correct positive and negative speaker terminals and the RCA input cable should be connected prior to powering up. Do not disconnect the input or speaker cables when the AC power is ON.

WARNING: Check and set the RCA/XLR selector switch

RCA/XLR Selector Switch – Make sure that the selector switch is correctly set. *Do not* connect the RCA and XLR inputs simultaneously. The selector switch provides the correct grounding for either of the two configurations but is not meant to function as a signal selector. Running the RCA cable with the switch flipped to "XLR" may result in a loud noise that could damage your speakers' tweeters. (Running XLR cables with the switch flipped to RCA will not cause this potentially damaging problem)

Equipment Compatibility – The NuForce MCH amplifier has a usable power bandwidth of up to 100 kHz. As a result, the high-frequency noise and grounding flaws created by custom modifications or aging upstream components such as a CD player, D/A converter, or preamplifier may be audible as a loud hissing or buzzing noise.

Adjusting Speaker Toe-In and Listening Position – The NuForce MCH amplifier creates a very wide and deep soundstage. To fine-tune its effect, try experimenting with the amount of speaker toe-in and listener-distance from the speakers. Be aware that these adjustments can affect the perceived high frequency balance/level.

Floating Speaker Output – The speaker output terminals are floating, with a 24VDC offset (DC across the speaker terminals is still 0V). Please consult NuForce Support (support@nuforce.com) if your setup requires any of the following configurations:

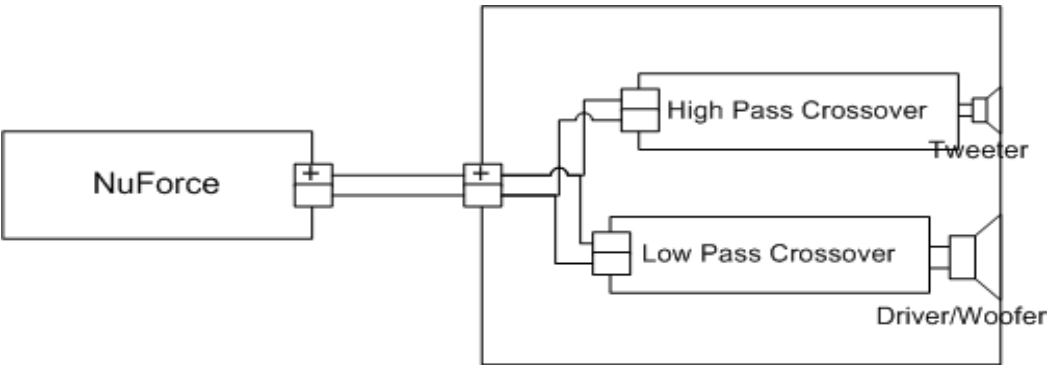
1. Multiple amplifiers to drive a single speaker driver (*Never do this!*)



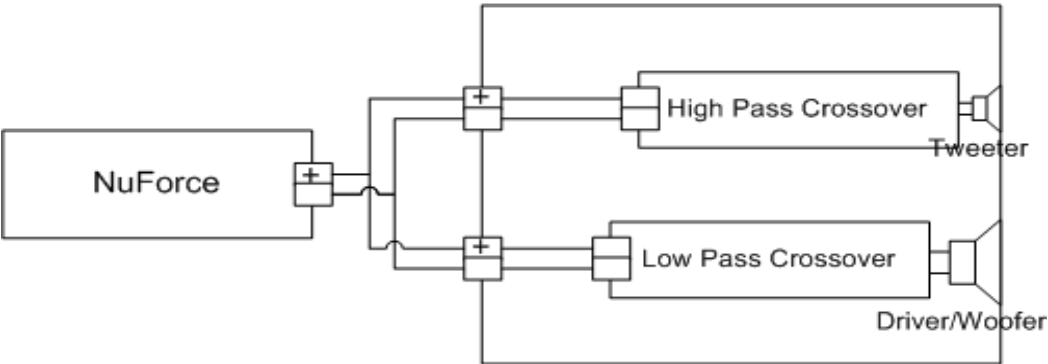
2. A Subwoofer that sums left and right input signals from *two* NuForce amplifiers' speaker terminals
3. Grounding other audio-signal grounds to any of the speaker terminals on the NuForce amplifier
4. Using two amplifiers to drive a bi-amped, series-crossover speaker (an uncommon setup)



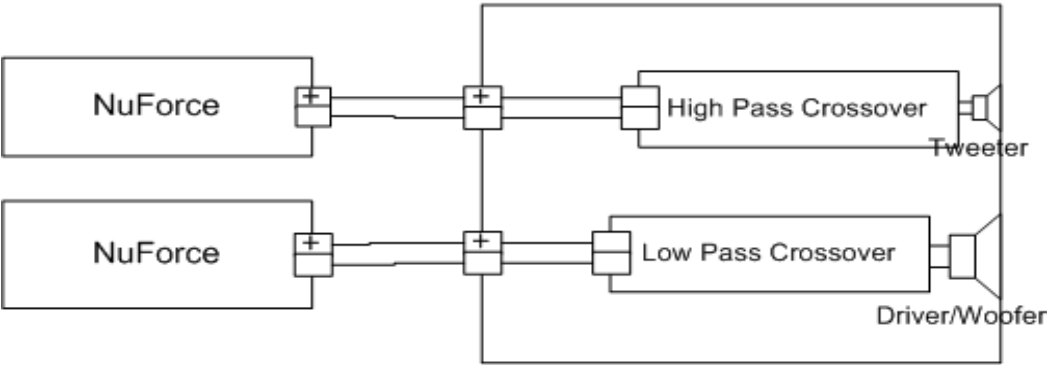
Acceptable Speaker Configurations



Single Amp., Single Wire (most common)



Single Amp., Bi-Wire (common in high-end speaker)



Bi-Amp., Bi-Wire (common in high-end speaker)



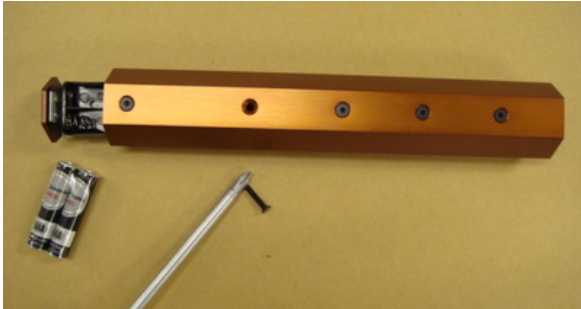
Heat Dissipation

The internal heat sink is mounted to the chassis for maximum heat dissipation. Nuforce's efficient amplifier technology generates little heat. Normally, the unit's operating temperature remains at around 45 degrees Celsius. The chassis temperature can go as high as 60 degrees Celsius after many hours of play at maximum power or when kept in a confined space.

The NuForce amplifier is capable of supplying high continuous current. To avoid possible damage to your loudspeakers, exercise common sense. DO NOT unplug the input or loudspeaker cables while the power remains ON.

Installing Batteries in Nuforce MCH-300SE Remote Control

Batteries are not pre-installed with the MCH remote because of air-cargo security measures. To install batteries, remove the Philips-head screw (2nd screw from the left as shown below) and slide out the base plate. Use a No. 3 Philips-head screwdriver to prevent stripping the screw.



MCH-300SE Quick Set-up Instructions

- When the MCH-300SE is powered up via the switch at the rear of the unit, the display will go through three color changes and then turn off. The Nuforce logo will remain lit. This sequence indicates that the MCH-300SE has gone through its self-diagnostic drill. Note that if you power up the unit with the remote, it will not go through self-diagnostic test.
Color Code Guide:
Green - No signal detected
Blue - Signal detected and functioning
Red - Channel failure
- The factory default setting has the MCH-300SE's channels in the OFF position. To enable all 7 channels with the remote, press 'On' followed by '7'.
Combination Key Sequences:
On, then '1' – DIM (the LEDs will dim *after 10 seconds* if there is no further action on the remote)
On, then '2' - L, R turns On (all other channels turn Off)
On, then '3' - L, C, R turns On (all other channels turn Off)
On, then '5' - L, C, R, SL, SR turns On (all other channels turn Off)
On, then '7' - All channel turns On.
- To turn individual channels on or off, hit the corresponding 1 - 7 buttons. **CAUTION:** Do not turn on channels rapidly. Allow a ten-second interval before turning on subsequent channels.
- Nuforce amplifiers are self-oscillating switching circuits. They should not be left in the ON position without signal or load. Channels that are not being used should be turned off.
- The MCH-300SE has been designed with memory retention. To save the current setting in memory, powered off the unit using the Remote Control. (There is no explicit 'Save' function.)

If power is abruptly disconnected or the unit is powered off using the AC ON / OFF switch, the MCH-300SE's current setting will be lost. The unit will power up in its last configured setting.

CAUTION: After turning the MCH off, wait 15 seconds for the capacitors to discharge before turning it back on. Otherwise some channels might not be able to power on.

MCH Models (Without Remote) Set-up Instructions

The MCH-200 and MCH-300 models offer manual activation of their multi-channel amplifiers by way of front-panel buttons. Each channel can be powered On or Off separately via its power button mounted on the front panel.

The NuForce Multi-Channel Amplifiers

NuForce's MCH Home-Theater Series defines state-of-the-art multi-channel analog switching amplifiers. You will be astonished by the power these low-profile (3.5-inch tall) components deliver: explosive dynamics and superb bass control for surround-sound home theater, and for two-channel listening, the rich, exquisitely detailed sound that has earned NuForce its enviable reputation among reviewers and audiophiles.

Based on technology we developed for our Reference 9 SE (Special Edition) amplifier, the MCH-300SE stands as the perfect marriage of home theater and music. As an example of convenience, a wand remote, first introduced with our P-9 preamp, allows the user to switch off the unit's home-theater channels in order to optimize two-channel listening. Among the MCH-300SE's invaluable features is a program that performs a self-diagnostic drill every time the unit is powered up.

Unlike linear amplifiers, which, even at idle, consume a great deal of power, the power-conservative NuForce MCH Series provides instantaneous clout when and where it's required. The MCH-300SE and MCH-300 offer a power reserve of 1200 watts; in effect, any of seven channels can be driven up to 300 watts into 4 ohms so long as total power requirements do not exceed 1200 watts. The MCH-200's 600-watt total operates as a 200-watt-per-channel stereo amplifier with full home-theater capability.

The MCH-200 and MCH-300 models offer manual activation of their multi-channel amplifiers by way of front-panel buttons. The MCH-200, available in five- and seven-channel versions, can be upgraded to the MCH-300's higher power capability.

All models in the MCH Series feature XLR inputs along with RCA inputs which can be individually trimmed for precise channel matching as well as proprietary five-way binding posts with extremely low insertion loss.



MCH-300SE (silver color)



MCH-300SE-C7 / MCH-3C7 Specifications:

- Configuration: 7 channel inputs
RCA and true balance XLR
- Power output:
 - 7 x 175W@8ohm
 - 7 x 335W@4ohm
- Frequency Response: 20 Hz -0.3 dB - 120 kHz -3 dB
- THD+N = 0.01%, 1kHz, 1W to 10W, A Weighted.
- Input impedance: 22K ohm
- Input sensitivity = 2.57V, 100W @ 8 Ohm; 1.81V, 100W @ 4 Ohm
- Gain: 21 db
- SNR > 100 db at 100W
- 12V DC Trigger Input. Use 3.5mm stereo connector as the trigger input cable.
- Chassis is made of high-grade anodized brushed aluminum to reduce audio resonance
- Dimension: 17" x 14" x 3.5" (height does not include feet)
- *Worldwide* AC voltage (84VAC to 264VAC). No need for AC regulator if the AC voltage falls within the specified range.
- Weight: 33 lbs

MCH-200C3 / MCH-200C5 / MCH-200C7 Specifications:

- Inputs: RCA and true balance XLR
- **MCH-2C7** Power output:
 - 7x160W@8hm, 7x160@4ohm
- **MCH-2C5** Power output:
 - 5x160W@8ohm, 5x180W@4ohm
- **MCH-2C5** Power output:
 - 3x160W@8ohm, 3x200@4ohm
- Frequency Response: 20 Hz -0.3 dB - 120 kHz -3 dB
- THD+N = 0.01%, 1kHz, 1W to 10W, A Weighted.
- Input impedance: 22K ohm
- Input sensitivity = 2.57V, 100W @ 8 Ohm; 1.81V, 100W @ 4 Ohm
- Gain: 21 db
- SNR > 100 db at 100W
- 12V DC Trigger Input. Use 3.5mm stereo connector as the trigger input cable.



- Chassis is made of high-grade anodized brushed aluminum to reduce audio resonance
- Dimension: 17" x 14" x 3.5" (height does not include feet)
- *Worldwide* AC voltage (84VAC to 264VAC). No need for AC regulator if the AC voltage falls within the specified range.
- Weight: 30 lbs

TERMS AND CONDITIONS OF SALE

Scope. These terms and conditions of sale (these “Terms”) apply to all sales of products (the “Products”) by NuForce Inc. (“NuForce”), a California corporation, to buyer of the Products (“Buyer”). These Terms (along with the specific terms of the attached purchase order) constitute the complete and entire agreement between the parties relating to the subject matter hereof, and supersede any and all prior and contemporaneous other terms or conditions, whether oral or written, including negotiations, prior quotations and purchase orders between the parties. These Terms may be modified only by a writing signed and approved by an authorized representative of NuForce. NuForce’ failure to object to any term or condition contained in any communication from Buyer (including in any purchase order) shall not be deemed a waiver or modification of these Terms. These Terms shall not be modified, supplemented, qualified or interpreted by any trade usage or prior course of dealing.

Orders. Subject to Section 0, a contract between NuForce and Buyer shall be formed only upon NuForce’ written acceptance of Buyer’s order or shipment of Products to Buyer pursuant to Buyer’s written purchase order. If NuForce accepts by shipment, then the acceptance shall only be for the quantity shipped.

Title and Delivery.

Title and Risk of Loss. Delivery is F.O.B. NuForce’ point of shipment (“Delivery”). NuForce may exercise NuForce’ own discretion in selecting the method of shipment. The risk of loss passes to Buyer upon delivery to the carrier at NuForce’ point of shipment. NuForce retains title to the Products until NuForce has received payment in full of all sums due in connection with the sale of Products to Buyer. NuForce hereby reserves and Buyer hereby grants to NuForce a purchase money security interest in the Products sold and the proceeds thereof, including accounts receivable, until Buyer pays NuForce the purchase price in full.

Shipment and Delivery. Any scheduled ship date quoted is approximate and not the essence of the contract. Claims of late delivery are barred unless made prior to receipt of Products. Buyer’s sole remedy for delay in or failure to deliver shall be cancellation of the applicable order.

Pricing. NuForce reserves the right to increase prices for any unshipped Products if the cost to NuForce for supplies, raw materials, labor or services is materially increased. The prices quoted on the attached purchase order shall be valid only for the period of time there indicated. All prices are exclusive of transportation, insurance, taxes, duties and other charges related thereto; unless NuForce receives a certified tax exemption from Buyer prior to shipment. Buyer agrees to indemnify, defend and hold NuForce harmless from any loss or expense arising out of or related to NuForce’ reliance on any tax exemption provided by Buyer.

Payment. Except as otherwise specifically designated on the invoice, payment shall be due and payable within 30 days from the date of the invoice. NuForce reserves the right at any time to modify or withdraw any credit extended to Buyer. If in NuForce’ sole discretion, NuForce may require full or partial payment in advance of any shipment of Product. If Buyer becomes delinquent in any payment to NuForce, NuForce has the right to suspend performance until such delinquency is corrected. Regardless of any statement appearing on a check in payment for Product, NuForce’ acceptance of such check shall not constitute a waiver of NuForce’ right to pursue the collection of any remaining balance. NuForce reserves the right to charge a late fee on late payments at the lesser of one and 1.5% per month or the maximum rate allowable by law, together with NuForce’ costs of collections including attorneys’ fees.

Acceptance. Use of the Products by Buyer or its agents, or the failure by Buyer to reject the Products within 5 days following Buyer’s delivery of such Products shall constitute acceptance by the Buyer.

NuForce’ Limited Warranty and Limitation of Liabilities.

Full Refund Period. For a period of 30 days after shipment (the “Refund Period”), Buyer may return the Products to NuForce for a full refund. To qualify for this refund, the Products must be returned in their original packaging and a 15% restocking fee will apply to damaged (including blemish on product’s surface) Products.

Limited Warranty. For a period (as specified in the Warranty Coverage section) after conclusion of the Refund Period, NuForce warrants (i) this product against defects in materials and workmanship, and (ii) that each Product, unmodified and under normal use and conditions, will substantially comply with NuForce’ applicable written technical documentation for the Product. NuForce reserves the right to make substitutions and modifications from time to time in the specifications of Products sold by NuForce, provided that such substitutions or modifications do not materially affect overall Product performance.

Limitations. EXCEPT FOR NUFORCE’ LIMITED WARRANTY SET FORTH IN SECTION 0 ABOVE, NUFORCE SPECIFICALLY DISCLAIMS ANY AND ALL EXPRESS, IMPLIED OR STATUTORY WARRANTIES, INCLUDING THE IMPLIED WARRANTIES OF FITNESS FOR A PARTICULAR PURPOSE, OF MERCHANTABILITY AND AGAINST INFRINGEMENT. THE EXPRESS WARRANTY IN SECTION 0 ABOVE SHALL EXTEND TO BUYER ONLY AND NOT TO BUYER’S CUSTOMERS OR ANY THIRD PARTY. NO PERSON IS AUTHORIZED TO MAKE ANY WARRANTY OR REPRESENTATION ON BEHALF OF NUFORCE CONCERNING THE PRODUCTS OTHER THAN THE LIMITED WARRANTY EXPRESSLY SET FORTH IN SECTION 0. BUYER WILL BE SOLELY RESPONSIBLE FOR AND WILL INDEMNIFY, DEFEND AND HOLD HARMLESS NUFORCE FROM AND AGAINST ANY AND ALL LIABILITIES, DAMAGES, COSTS AND EXPENSES RELATED TO ANY WARRANTIES WITH RESPECT TO THE PRODUCTS OTHER THAN THOSE SET FORTH IN SECTION 0 OR ANY USE OF THE PRODUCTS OR RESALE OF THE PRODUCTS.

Liability. With respect to any claims asserting breach of the limited warranty set forth in Section 0, NuForce’ exclusive liability and Buyer’s sole remedy, is at NuForce’ option, to replace or repair the defective Product or to issue credit to Buyer for the purchase price of the Product (without interest), provided that prior to any replacement, repair or credit the following conditions are satisfied:

(i) NuForce is promptly notified in writing by Buyer upon discovery of any such default; (ii) the defective Product is returned to NuForce, transportation charges prepaid by Buyer, accompanied by a brief statement explaining the alleged defect; and (iii) NuForce’ examination of such Product shall disclose to NuForce’ satisfaction that such failures did not arise as a result of misuse, abuse, improper installation or application, repair, alteration, or accident, or negligence in use, storage, transportation or handling by anyone



other than NuForce. Any replacement Product will be warranted for the remainder of the original warranty period or 30 days, whichever is longer. NuForce shall in no event be responsible for any labor costs, or otherwise, incurred by Buyer incident to the replacement of any defective Product. If NuForce determines that the returned Product conformed to the warranties, NuForce will return the Product to Buyer at Buyer's expense.

NUFORCE SHALL NOT BE LIABLE FOR INDIRECT, SPECIAL, INCIDENTAL, CONSEQUENTIAL OR SPECIAL DAMAGES OF ANY NATURE INCLUDING WITHOUT LIMITATION LOSS OF PROFIT, PROMOTIONAL OR MANUFACTURING EXPENSES, OVERHEAD, DATA, INJURY TO REPUTATION OR LOSS TO CUSTOMERS, ARISING OUT OF OR IN CONNECTION WITH THE PURCHASE, SALE, USE, PERFORMANCE OR FAILURE OF THE PRODUCTS, WHETHER SUCH LIABILITY ARISES UNDER CONTRACT, TORT (INCLUDING NEGLIGENCE), STRICT PRODUCT LIABILITY OR OTHERWISE, EVEN IF NUFORCE HAS BEEN ADVISED OF THE POSSIBILITY OF SUCH DAMAGES OR IF SUCH DAMAGE COULD HAVE BEEN REASONABLY FORESEEN. IN NO EVENT WILL NUFORCE' LIABILITY TO BUYER ARISING OUT OF OR RELATING TO THESE TERMS EXCEED THE AMOUNT OF THE PURCHASE PRICE PAID TO NUFORCE BY BUYER FOR THE PRODUCT THAT GIVES RISE TO THE CLAIM.

Default. If Buyer becomes insolvent, bankrupt, makes an assignment for the benefit of its creditors or is otherwise unable to meet Buyer's obligations as they come due, NuForce may decline to make further shipments without in any way affecting NuForce' rights under these Terms. If, NuForce elects to continue to make shipments, NuForce' action shall not constitute a waiver of any default by Buyer or in any way affect NuForce' legal remedies of any such default.

Assignment. Buyer shall not assign Buyer's order or any interest in or any rights hereunder without the prior written consent of NuForce.

Confidentiality. Buyer acknowledges that Buyer may gain access to trade secrets and confidential information of NuForce. At all times Buyer agrees not to disclose NuForce' trade secrets or confidential information to any third party without the express written consent of NuForce. Buyer further agrees to undertake all steps necessary to maintain the secrecy of NuForce' trade secrets and confidential information.

Miscellaneous. All notices, authorizations, and requests shall be deemed given on receipt. These Terms shall be governed by the laws of the State of California without reference to that state's choice of law provisions. The California state courts of Santa Clara County, California or the United States District Court for the Northern District of California shall have exclusive jurisdiction and venue over any dispute arising out of this Agreement, and each party hereby consents to the jurisdiction and venue of such courts. All waivers of the exercise any remedy or option provided herein, or to require any performance by Buyer must be in a writing signed by NuForce. If any provision of these Terms is declared invalid, illegal or unenforceable, all remaining provisions shall continue in full force and effect. Nonperformance of either party, except for the making of payments, shall be excused to the extent that performance is delayed or rendered impossible by any reason where failure to perform is beyond the reasonable control of the non-performing party.



NuForce Three (3) Year Limited Warranty

Reference 9 V3SE and MCH-300SEC7 have five year warranty. All other products in the Reference and MCH series have three year warranty.

WARRANTY COVERAGE

NuForce's warranty is specified in **NuForce Terms and Conditions of Sale**. If a defect exists, at its option NuForce will (1) repair the product at no charge, using new or refurbished replacement parts, (2) exchange the product with a product that is new or which has been manufactured from new or serviceable used parts and is at least functionally equivalent to the original product, or (3) refund the purchase price of the product. A replacement product/part assumes the remaining warranty of the original product or ninety (90) days from the date of replacement or repair, whichever provides longer coverage for you. When a product or part is exchanged, any replacement item becomes your property and the replaced item becomes NuForce's property. When a refund is given, your product becomes NuForce's property.

OBTAINING WARRANTY SERVICE

If you purchased the product in the U.S., deliver the product, at your expense, to any NuForce Service Center located in the U.S. If you purchased the product outside of the U.S., deliver the product to any NuForce Authorized Importer in the country where you purchased the product. Be aware, however, that not all countries have NuForce Authorized Service Providers and not all Authorized Service Providers outside the country of purchase have all parts or replacement units for the product. If the product cannot be repaired or replaced in the country it is in, it may need to be sent to a different country or returned to the country of purchase at your expense for repair or replacement. You can always deliver the product to NuForce's U.S. main service center for obtaining warranty service.

EXCLUSIONS AND LIMITATIONS

This Limited Warranty applies only to hardware products manufactured by or for NuForce that can be identified by the "NuForce" trademark, trade name, or logo affixed to them. The Limited Warranty does not apply to any non-NuForce hardware products or any accessories, even if packaged or sold with NuForce hardware. Non-NuForce manufacturers, suppliers, may provide their own warranties. Other accessories distributed by NuForce under the NuForce brand name are not covered under this Limited Warranty. This warranty does not apply: (a) to damage caused by accident, abuse, misuse, misapplication, or non-NuForce products; (b) to damage caused by service performed by anyone who is not an NuForce Authorized Service Provider; (c) to a product or a part that has been modified without the written permission of NuForce; or (d) if any NuForce serial number has been removed or defaced.

THIS WARRANTY AND REMEDIES SET FORTH ABOVE ARE EXCLUSIVE AND IN LIEU OF ALL OTHER WARRANTIES, REMEDIES AND CONDITIONS, WHETHER ORAL OR WRITTEN, EXPRESS OR IMPLIED. NUFORCE SPECIFICALLY DISCLAIMS ANY AND ALL IMPLIED WARRANTIES, INCLUDING, WITHOUT LIMITATION, WARRANTIES OF MERCHANTABILITY AND FITNESS FOR A PARTICULAR PURPOSE. IF NUFORCE CANNOT LAWFULLY DISCLAIM IMPLIED WARRANTIES UNDER THIS LIMITED WARRANTY, ALL SUCH WARRANTIES, INCLUDING WARRANTIES OF MERCHANTABILITY AND FITNESS FOR A PARTICULAR PURPOSE ARE LIMITED IN DURATION TO THE DURATION OF THIS WARRANTY. No NuForce reseller, agent, or employee is authorized to make any modification, extension, or addition to this warranty. NUFORCE IS NOT RESPONSIBLE FOR DIRECT, SPECIAL, INCIDENTAL OR CONSEQUENTIAL DAMAGES RESULTING FROM ANY BREACH OF WARRANTY OR CONDITION, OR UNDER ANY OTHER LEGAL THEORY, INCLUDING BUT NOT LIMITED TO LOST PROFITS, DOWNTIME, GOODWILL, DAMAGE TO OR REPLACEMENT OF EQUIPMENT AND PROPERTY,



ANY COSTS OF RECOVERING, REPROGRAMMING, OR REPRODUCING ANY PROGRAM OR DATA STORED IN OR USED WITH NUFORCE PRODUCTS, AND ANY FAILURE TO MAINTAIN THE CONFIDENTIALITY OF DATA STORED ON THE PRODUCT. NUFORCE SPECIFICALLY DOES NOT REPRESENT THAT IT WILL BE ABLE TO REPAIR ANY PRODUCT UNDER THIS WARRANTY OR MAKE A PRODUCT EXCHANGE WITHOUT RISK TO OR LOSS OF PROGRAMS OR DATA. Some states and provinces do not allow the exclusion or limitation of incidental or consequential damages or exclusions or limitations on the duration of implied warranties or conditions, so the above limitations or exclusions may not apply to you. This warranty gives you specific legal rights, and you may also have other rights that vary by state or province.

(c) 2007 NuForce, Inc. All rights reserved. NuForce and the NuForce logo are trademarks of NuForce Inc., registered in the U.S. and other countries